

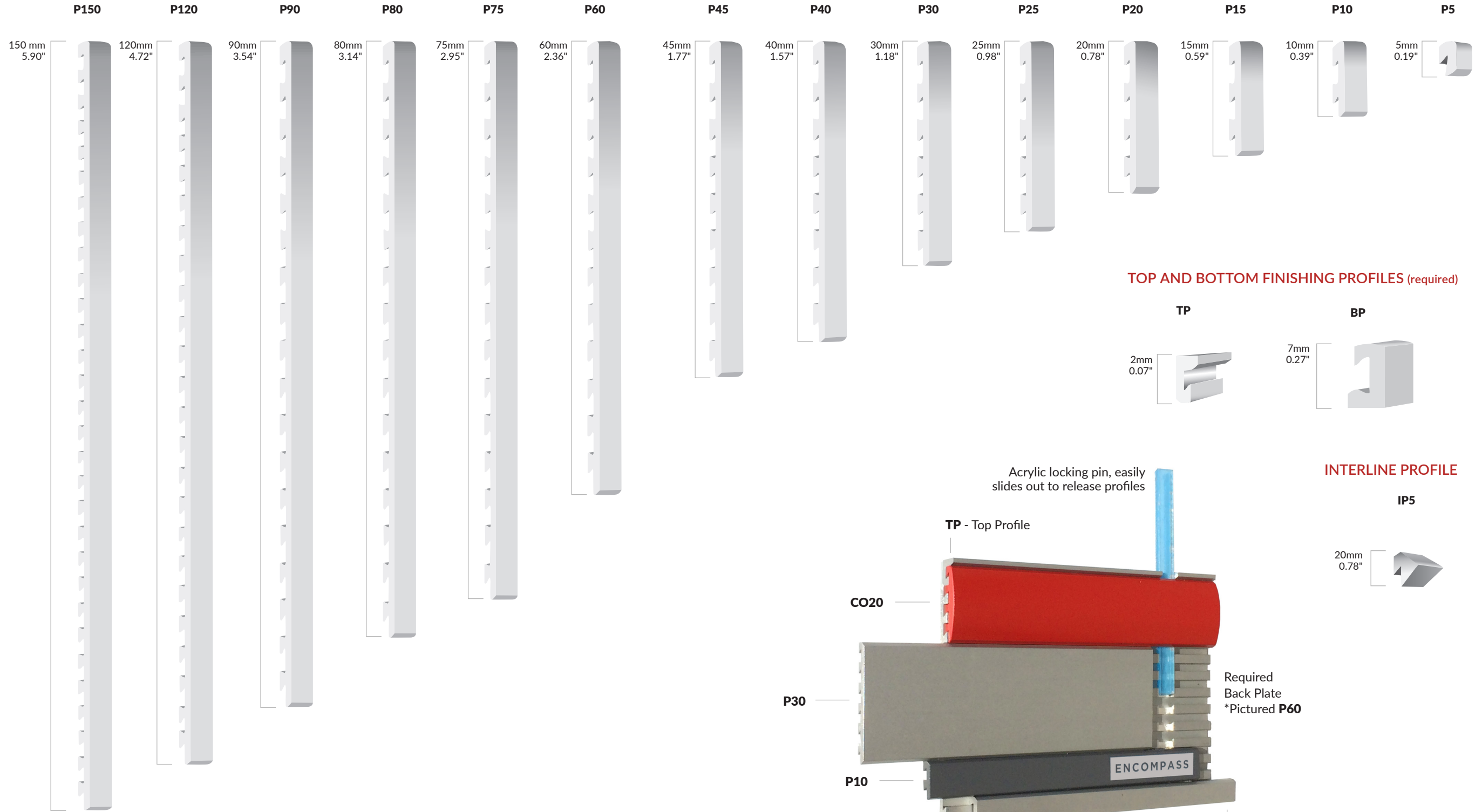


## FLAT PROFILES

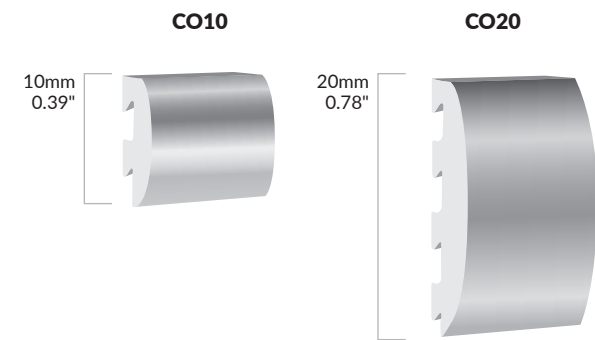
Req. Back Plate  
Req. Face Plate



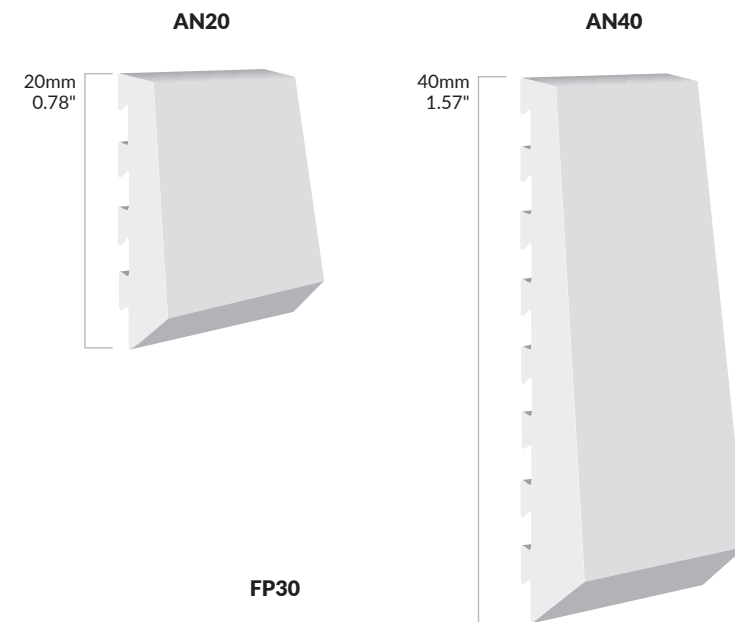
MSS Section View



## CURVED PROFILES



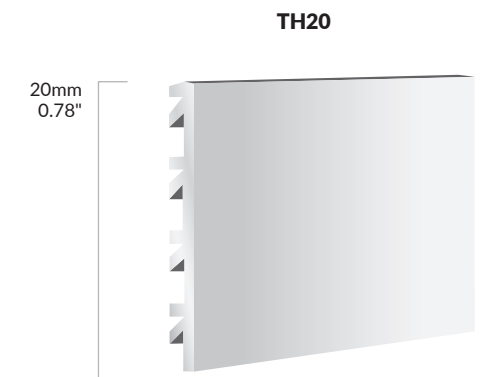
## ANGLED PROFILES



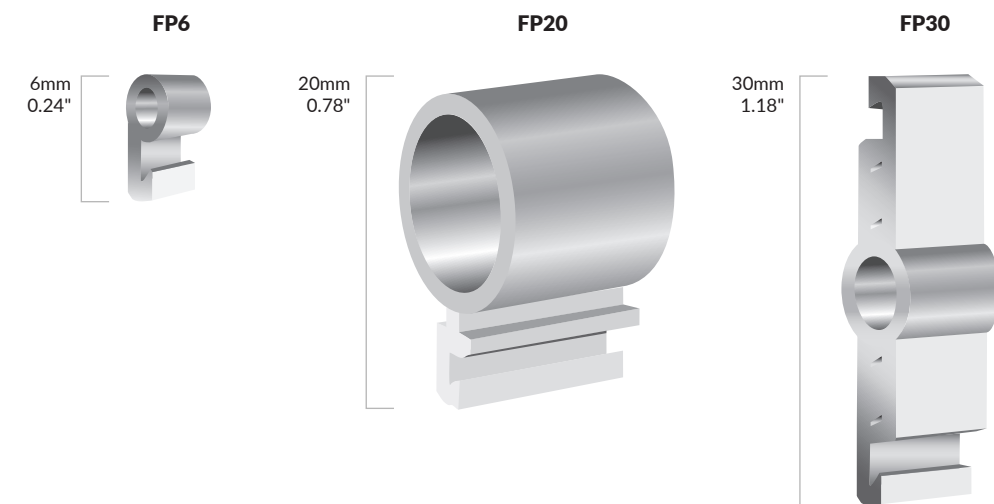
## ACRYLIC PROFILE



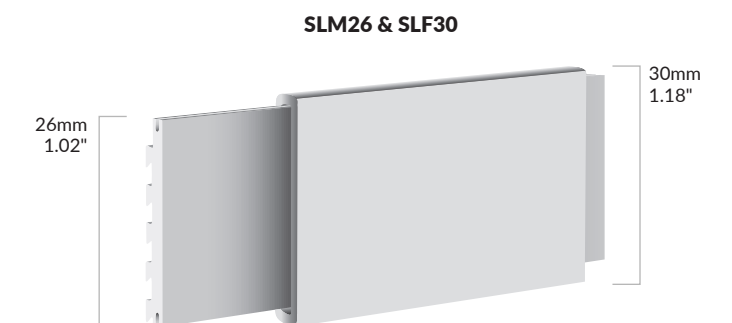
## LAMINATE PROFILES (supports 1mm)



## PROJECTING PROFILES



## SLIDER PROFILE



## MSS MODULAR SIGN SYSTEM

The HB Modular Sign System is made from dovetailed aluminum extrusions, which slide together to form the completed sign. There is no back plate which in turn means that the sign may be single or double sided. Because it is frameless, there is no limit to the size of the sign. Therefore, the MSS can be extended or shortened by the addition or removal of profiles. At every stage the signs remain visually complete and securely fastened. Based upon a module pitch of 5mm (0.19 in) the HB Modular Sign System is comprised of profiles from 5mm to 150mm (0.19 to 5.91 in). Various profiles in the range can be added to allow the sign to become suspended, projecting and desk mounted.

The HB Modular Sign System is easy to assemble and dismantle – once you know how. A discreet locking strip is concealed within the 6mm thickness and there are no evident fastenings or fixings that could be undone with conventional tools. The concealed locking strip simply slides out by being pushed by a pin through a small hole located in the bottom profile.

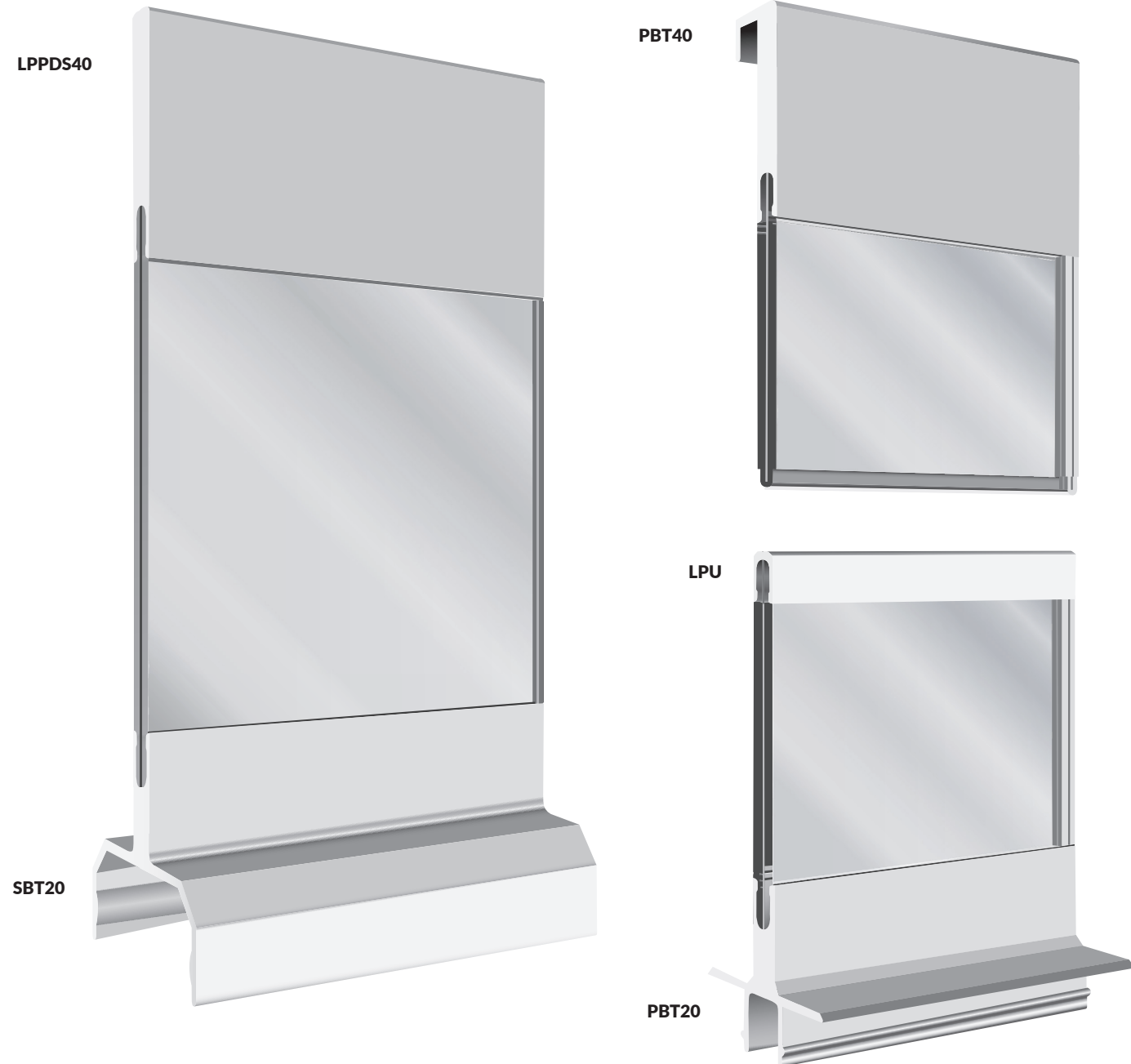
## SOLUTIONS

Due to the highly adaptable nature of the MSS, it has been specified extensively for corporate and government headquarters, colleges, universities, museums, libraries, art facilities, sport centers, healthcare institutions, and law courts.

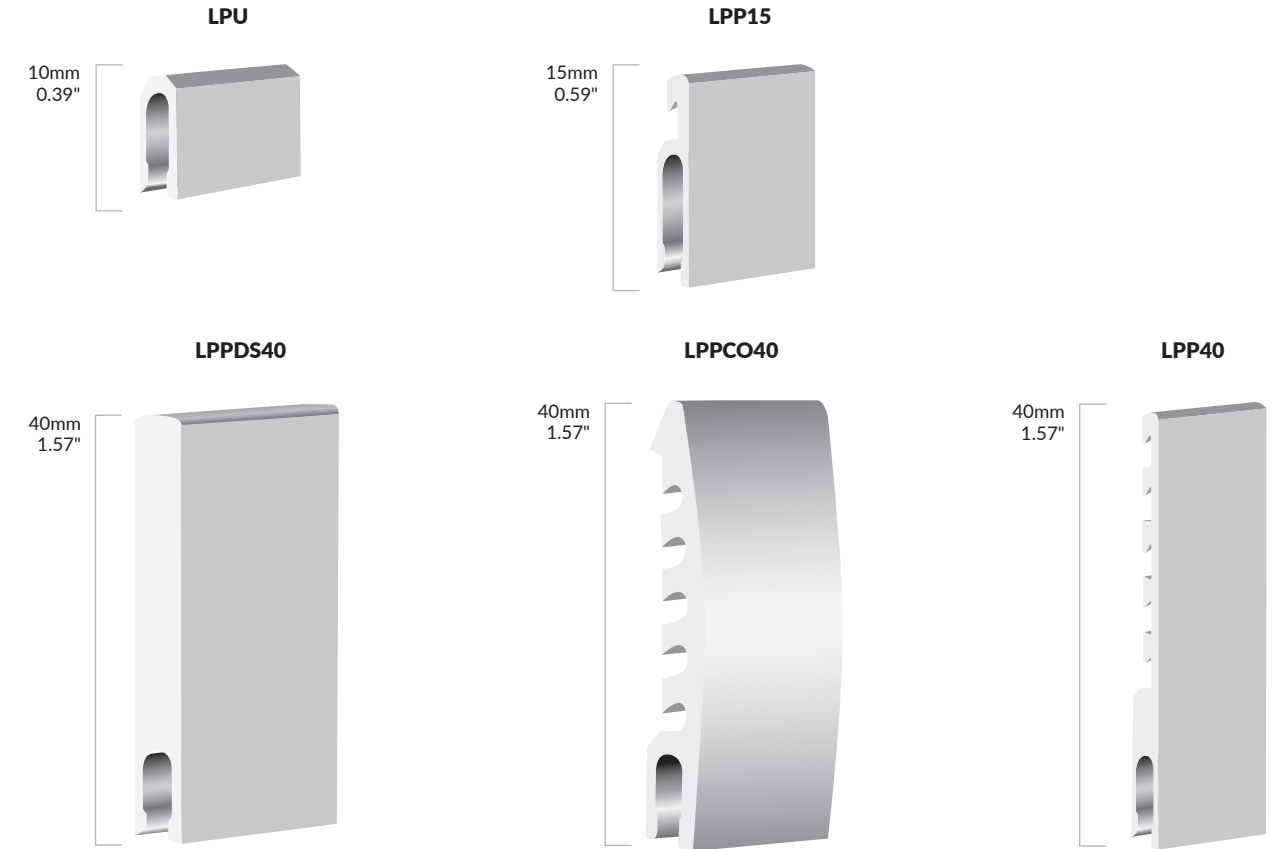
The MSS is a simple assembly of strong, lightweight, extruded interchangeable aluminum profiles.

- The most flexible system on the market
- Ability to integrate with multiple Workshop2 Systems like the Chameleon.
- More profiles and fixing options than any similar systems
- Each profile can be independently replaced to change its message
- Wall, door, suspended, projecting, desk mounted or freestanding fixings
- The system incorporates a hidden, tamper-proof locking device
- No special maintenance required

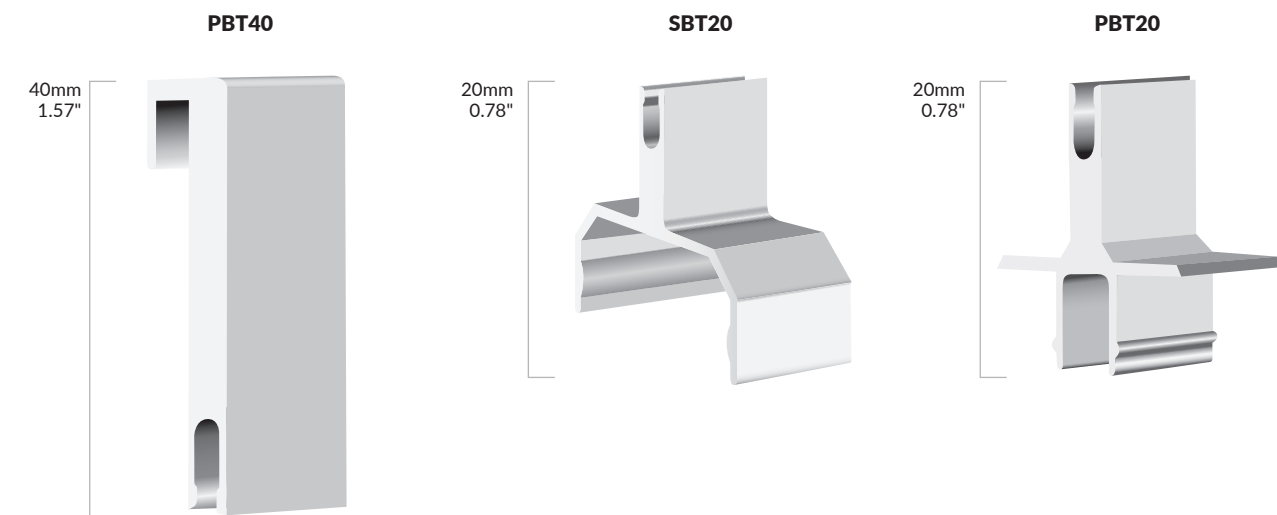
## WALLET & PARTITION PROFILES



## SINGLE & DOUBLE-SIDED PROFILES



## PARTITION BRACKETS

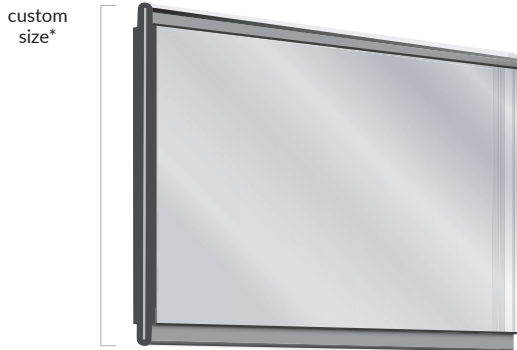




## PROFILES

### WALLET WINDOW INSERTS

#### ACRYLIC WINDOW

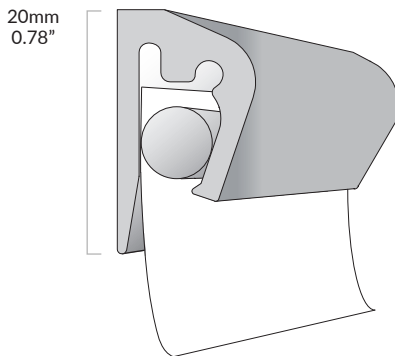


### WINDOW INSERTS

Each acrylic window includes a selected profile for either partitions or added to a modular system (displayed on previous page). MSS Window Inserts can accommodate a single-sided or double-sided MSS bracket and can be manufactured to fit any sized insert with standard paper sizes or custom sizes upon request.

### NOTEBAR INSERT

#### NOTEBAR



### NOTEBAR

**Length:** Custom sizing available up to 10 feet.

**Thickness:** 0.43" (11mm)

Our MSS Notebar is perfect for all paper insert needs including; schedules, agendas, name tags, and hanging artwork.

SYSTEM	PRODUCT	IMPERIAL height	METRIC height
Modular Sign System (MSS)	<i>Required Flat Profiles</i>		
	TOP PIECE (TP)	0.08 in	2 mm
	BOTTOM PIECE (BP)	0.28 in	7 mm
	<i>Flat Profiles</i>		
	P5	0.19 in	5 mm
	P10	0.39 in	10 mm
	P15	0.59 in	15 mm
	P20	0.78 in	20 mm
	P25	0.98 in	25 mm
	P30	1.19 in	30 mm
	P40	1.57 in	40 mm
	P45	1.77 in	45 mm
	P60	2.36 in	60 mm
	P75	2.95 in	75 mm
	P80	3.14 in	80 mm
	P90	3.54 in	90 mm
	P120	4.72 in	120 mm
	P150	5.90 in	150 mm
	<i>Interline Profile</i>		
	IP5	0.19 in	5 mm
	<i>Slider Profile</i>		
	SLF30	1.19 in	30 mm
	SLM26	1.02 in	26 mm
	<i>Curved Profiles</i>		
	CO10	0.39 in	10 mm
	CO20	0.78 in	20 mm
	<i>Angled Profiles</i>		
	AN20	0.78 in	20 mm
	AN40	1.57 in	40 mm
	<i>Acrylic Profile Insert</i>		
	TAP15	CUSTOM	CUSTOM
	BAP15	CUSTOM	CUSTOM
	<i>Laminate Profile</i>		
	TH20	0.78 in	20 mm
		*Supports 0.039 in or 1 mm	
	<i>Projecting Profiles</i>		
	FP6	0.24 in	6 mm
	FP20	0.78 in	20 mm
	FP30	1.19 in	30 mm
	<i>Single &amp; Double-Sided Profiles</i>		
	LPU	0.39 in	10 mm
	LPP15	0.59 in	15 mm
	LPPDS40	1.57 in	40 mm
	LPPCO40	1.57 in	40 mm
	LPP40	1.57 in	40 mm
	<i>Partition Brackets</i>		
	PBT40	1.57 in	40 mm
	SBT20	0.78 in	20 mm
	PBT20	0.78 in	20 mm
	<i>Wallet Window Insert</i>		
	ACRYLIC WINDOW	CUSTOM	CUSTOM
	<i>Note Bar</i>		
	NB	TBA	TBA

\*All Profiles come in max width of 129.6 in or 3291.84 mm